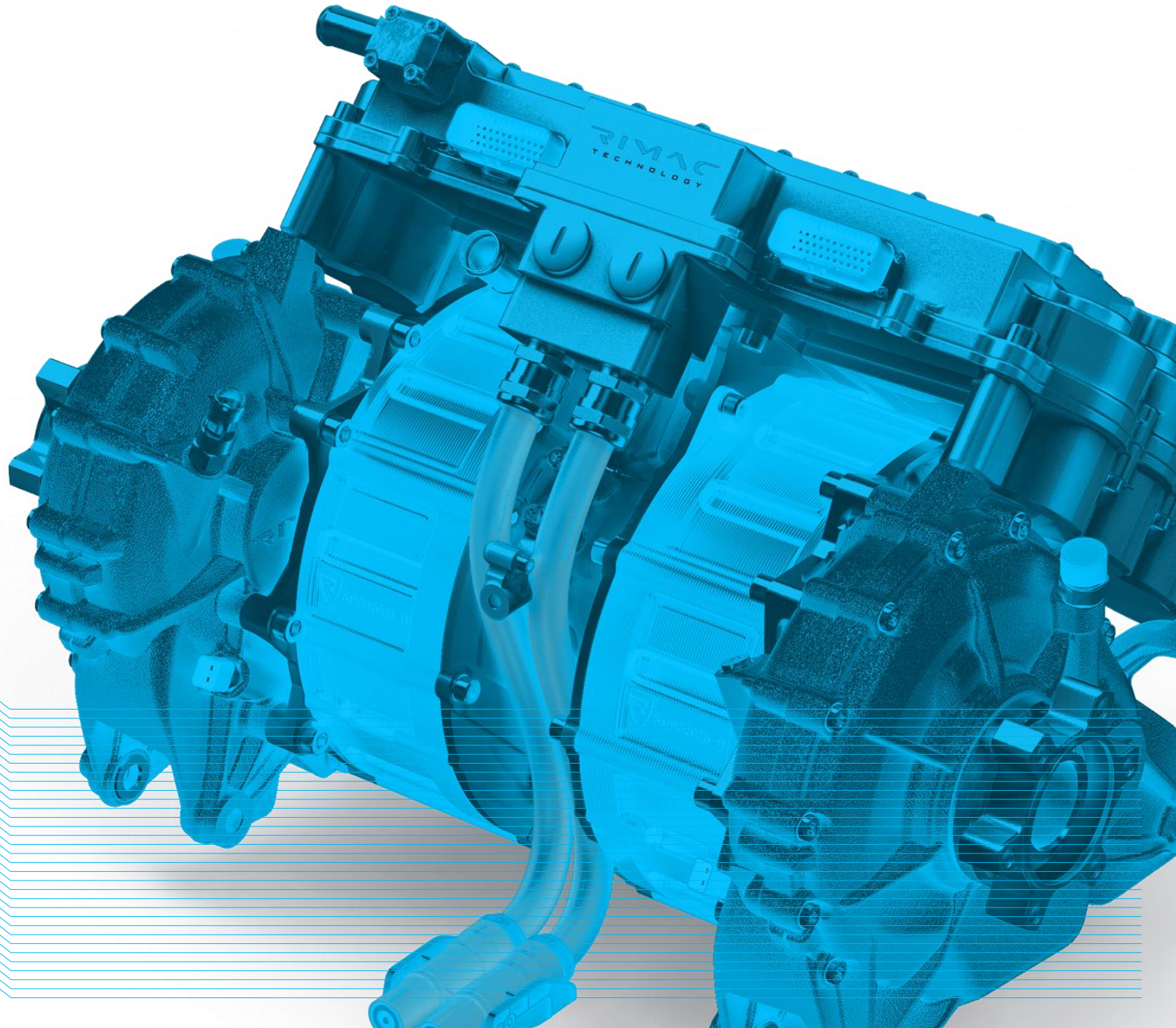
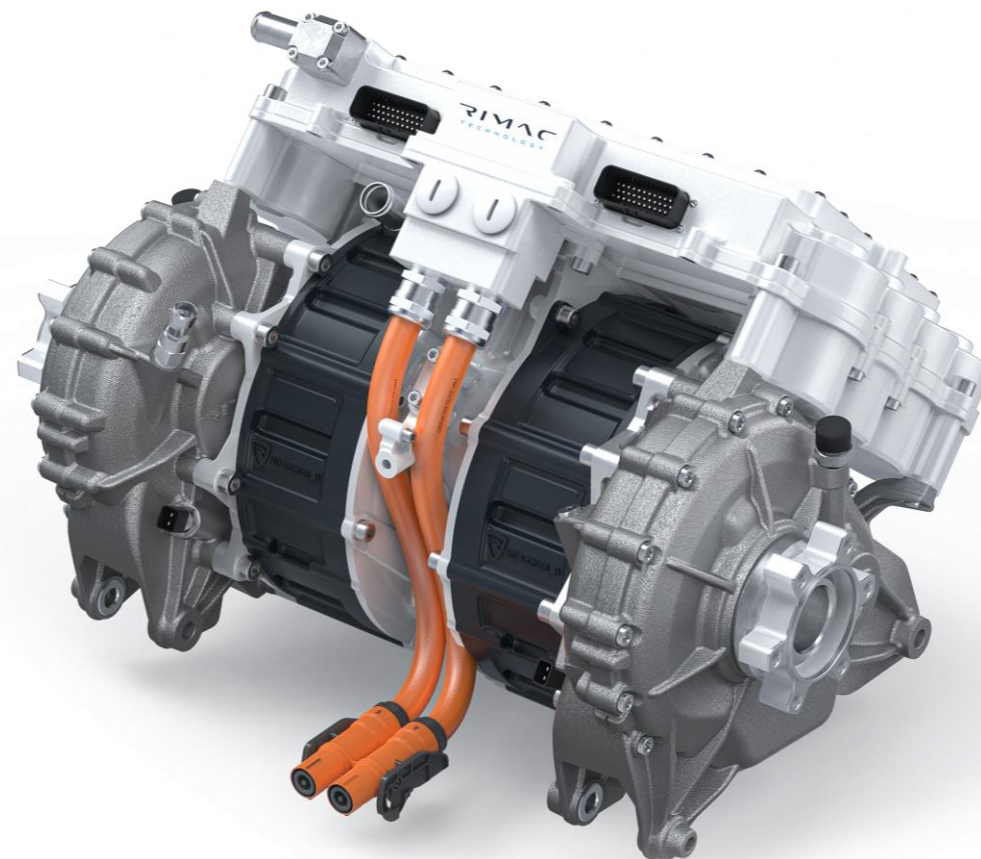


AXL_560



OUR RANGE OF HIGH-PERFORMANCE DRIVETRAIN SOLUTIONS HAVE AN EXCEPTIONALLY HIGH POWER TO WEIGHT RATIO.

Designed and engineered in-house, our drivetrains have been built to meet the most extreme performance specifications, just like our latest hypercar, Rimac C_Two. Designed in a compact package, each solution comprises of two highly efficient motors coupled to a bespoke gearbox and double inverter to give best-in-class performance.



INTEGRAL COMPONENTS



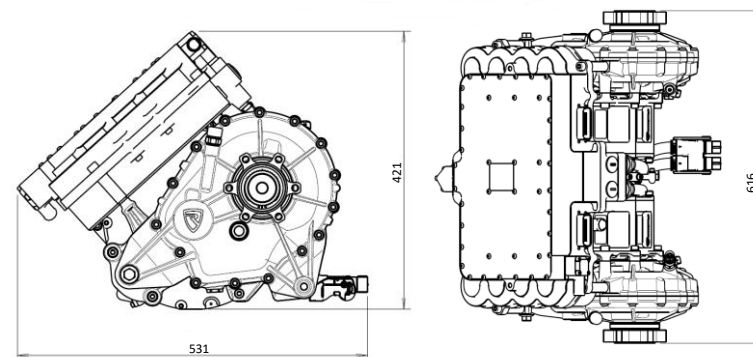
SPM_280



GBX_280



INV_450



AXL_560

The AXL_560 offers one of the highest power to weight ratios on the market. Designed in a compact package, this solution consists of 2 motors offering 560Nm of Torque and 440kW of Peak Power. Coupled with its own bespoke gearbox and double Inverter this solution offers best in-class performance.

NOMINAL SYSTEM VOLTAGE LEVEL	750Vdc
CONTINUOUS POWER	2 x 180kW
CONTINUOUS TORQUE	2 x 190Nm
AXLE TORQUE	3080Nm
OUTPUT RPM	3100rpm

POWER

2 x 220kW

TOURQUE

2 x 280Nm

MAX. RPM

17 200

GEAR RATIO

1:5.5

WEIGHT

90kg

